



NAC Image Technology, the most experienced name in high-speed video, introduces the Memrecam fx RX5, a flexible, lightweight, high-speed, HyGe mega pixel imaging system that simultaneously captures up to four views.

NAC's Memrecam fx RX5 Digital High-Speed Color Video System



NAC's Memrecam fx RX5 sets new standards for high-speed imaging flexibility and performance in on-board automotive testing. These cameras provide the ideal solution for image capture in confined spaces such as foot wells or engine compartments.

The Memrecam fx RX5 is a mega pixel camera system that can be modified to accept multiple cameras, thereby providing the user with alternative systems that help reduce the added weight of instrumentation systems in an on-board impact test environment.

The Memrecam fx RX5 System Features

- **Single Camera Operation**—The Memrecam fx RX camera head records images at 1,000 pps with 1280 X 1024 pixel resolution (optional recording rates up to 10,000 pps). Alternatively, the Memrecam fx RX5 uses the Memrecam Micro camera head (21mm X 21mm X 99mm, 0.3kg), recording at up to 500 pps in extremely confined spaces.
- **Multi-Camera Head Configuration**—The Memrecam fx RX5 may be configured with up to four fx RX camera heads, providing 640 X 512 pixel resolution at 1,000 pps and providing 640 X 256 resolution at 2,000 pps.
- **Multi-Micro Camera Head Configuration**—The Memrecam fx RX5 may be configured with up to four Memrecam Micro camera heads providing 508 X 434 pixel resolution at 500 pps.
- **Remote Head Operation**—The Memrecam fx RX5 camera heads utilize a variety of camera cable lengths (3m, 5m and 9m) and cameras can be mounted up to 18m from the RX5's Digital Recording Processor (DRP).
- **Memrecam fx Product Family**—The Memrecam fx RX5 is a member of NAC's Memrecam fx Product Family and is therefore compatible with the complete range of Memrecam fx products, including: communications, synchronization and multi-camera controls.

The Memrecam fx family of products is easily networked and synchronized using NAC's complete line of accessory items including 2D and 3D Motion Analysis Systems. Choose NAC to help address your high-speed imaging needs and you'll see *The Visible Difference*.

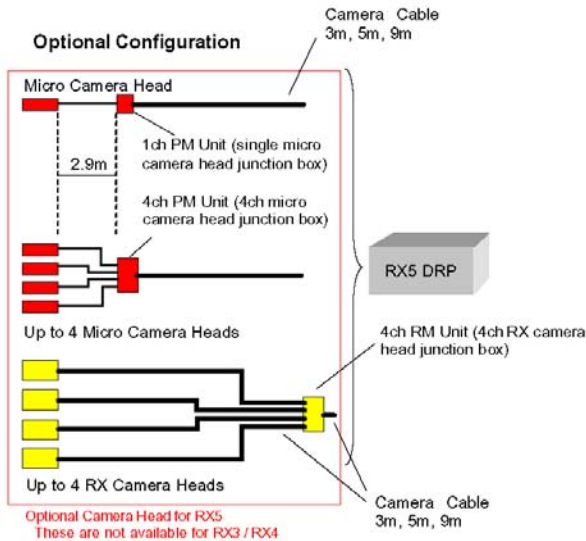


Visit our web site at www.zclianda.com

Standard Configuration



Optional Configuration



The **Memrecam fx RX5** is a new concept high-speed camera system based upon the existing **Memrecam fx Product Family**. It is an ideal solution for on-board multi-camera applications because it features a remote compact camera head and is capable of attaching up to four (4) cameras to a single Digital Recording Processor (DRP). This multiple small camera head solution allows for the flexible placement of camera heads while reducing the total space and weight of on-board instrumentation equipment.

Memrecam fx RX5 System Features:

- Flexible Configuration
 - ⇒ Single Camera Head Configuration—1280 X 1024 up to 1,000 pps
 - ⇒ Multi-RX Camera Head Configuration—640 X 512 up to 1,000 pps
 - ⇒ Up to four fx RX Camera Heads can be used with Junction Box
 - ⇒ Multi-Micro Head Configuration—508 X 384 up to 500 pps
 - ⇒ Up to four Micro Camera Heads can be used with Junction Box
- Ruggedized for HyGe applications
- Giga-bit Data Transfer using Fibre Channel
- Compatible with all Memrecam fx products

Camera Comparison Table		
Item	fx RX Camera Head	Micro Camera Head
Sensor Type	CMOS	CCD
Pixel Format	1280 X 1024	510 X 484
Sensor Size	15.36mm X 12.29mm	4.89mm X 3.63mm
Lens Mount	C-Mount	NF Mount
Shutter Speed	Max. 1/200,000 sec	Max. 1/20,000 sec
Size (mm)	80(H) X 80(W) X 94(D)	21(H) X 21(W) X 99(D)
Weight (lbs)	1.5	0.6



Contact Us:

NAC In China

UnionChina Technology Ltd.
 Tel: +8627 87690835 87690836
 Fax: + 8627 87690837
 E-mail: sales@zclianda.com

Visit our web site at www.nacinc.com

